

UniStream[®]

PLC

Installation Guide:

**USC-B5- B1, USC-B10- B1,
USC-B5- TR22, USC-B10- TR22,
USC-B5- T24, USC-B10- T24**



SCAN
to download

This guide provides basic installation information for specific UniStream[®] PLC models with built-in I/O. Technical specifications may be downloaded from the Unitronics website.

General Features

Unitronics' UniStream[®] PLCs are DIN-rail mounted Programmable Logic Controllers (PLCs) with a built-in I/O configuration.

The series is available in three versions: Pro, Standard, and Basic.

Note that a model number that includes:

- **B10** refers to Pro version (e.g. USC-B**10**-T24)
- **B5** refers to Standard version (e.g. USC-B**5**-RA28)
- **B3** refers to Basic version (e.g. only for USC-B**3**-T20)

Page 2 contains a comparison table detailing the features offered by the different models. Exact features are detailed in the product specification sheets.

Power Features	<ul style="list-style-type: none"> ▪ Built-in Trends and Gauges, auto-tuned PID, data tables, data sampling, and Recipes ▪ UniApps™: Access & edit data, monitor, troubleshoot & debug and more ▪ Security: Multi-level password protection ▪ Alarms: Built-in system, ANSI/ISA standards
-----------------------	---

COM Options	<ul style="list-style-type: none"> ▪ Built-in ports: 2 Ethernet, 1 USB host, 1 USB device port ▪ Add-on ports (UAC-CB), available by separate order: <ul style="list-style-type: none"> ➢ 1 CANbus port may be added to all models ➢ RS232/485 ports: according to model technical specifications
--------------------	--

COM Protocols	<ul style="list-style-type: none"> ▪ Fieldbus: CANopen, CAN Layer2, MODBUS, EtherNetIP and more. Implement any serial RS232/485, TCP/IP, or CANbus third-party protocols via Message Composer ▪ Advanced: SNMP Agent/Trap, e-mail, SMS, modems, GPRS/GSM, FTP Server/Client, Web Server, SQL, and MQTT. ▪ Remote Access via any device that supports VNC.
----------------------	--

Programming Software	All-in-One UniLogic software for hardware configuration, communications, PLC and HMI applications; free download.
-----------------------------	---

HMI	<p>All UniStream[®] PLCs can display HMI screens on the following devices:</p> <ul style="list-style-type: none"> • UniStream Display (USL) • UniStream Modular HMI panel (USP) • UniStream Built-in (on the panels integral to the device) • Any device screen that supports VNC
------------	--

HMI	<p>HMI screens are designed in UniLogic. In addition to the HMI screens, UniStream® PLCs offer built-in HMI features, including:</p> <ul style="list-style-type: none"> • UniApps™: Access & edit data, monitor, troubleshoot, debug, and more • Security: Multi-level password protection • Alarms: Built-in system, ANSI/ISA standards
------------	---

USB Action files	<p>Programmers can create files in UniLogic and save them to a USB mass storage device, such as a flash drive. This enables the end user to implement certain actions such as to update firmware, update network settings, download applications, extract log files and more.</p>
-------------------------	---

Differences between B10, B5, and B3	Feature	B10 Pro	B5 Standard	B3 Basic
		I/O Expansion via Uni-I/O		Yes
	Remote I/O Expansion via Ethernet I/O Adapter (URB)		Up to 8	1
	VFD		32	2
	MicroSD		Yes	No*
	Add-on COM modules		3	2
	System Memory	6GB	3GB	3GB
	MODBUS Slaves		Unlimited	Up to 8
	Ethernet/IP Scanners		16	1
	Ethernet/IP Adapters		32	8
	Web Server	Yes	No	No
	SQL Client	Yes	No	No
	MQTT		Yes	
	PID Loops		64	2
	Data Sampler/Trends		Yes	No
	CSV files: creating/ reading		Yes	No
	FTP, server/client		Yes	No
	Saving Data Tables to SD		Yes	No*
	Screenshots		Yes	No
	Sending email attachments		Yes	No
	USB device (programming port)		Yes	No**

* Note that B3 models do not support features requiring SD cards. In addition, Alarm History is not retained after PLC reset.

** Note that B3 models may be programmed only via Ethernet cable.



Before You Begin

Before installing the device, the user must:


- Read and understand this document.
- Verify the Kit Contents.

Alert Symbols and General Restrictions


When any of the following symbols appear, read the associated information carefully.

<i>Symbol</i>	<i>Meaning</i>	<i>Description</i>
	<i>Danger</i>	<i>The identified danger causes physical and property damage.</i>
	<i>Warning</i>	<i>The identified danger could cause physical and property damage.</i>
<i>Caution</i>	<i>Caution</i>	<i>Use caution.</i>

- All examples and diagrams are intended to aid understanding, and do not guarantee operation. Unitronics accepts no responsibility for actual use of this product based on these examples.
- Please dispose of this product according to local and national standards and regulations.
- This product should be installed only by qualified personnel.

- 
 - Failure to comply with appropriate safety guidelines can cause severe injury or property damage.
 - Do not attempt to use this device with parameters that exceed permissible levels.
 - Do not connect/disconnect the device when power is on.

Environmental Considerations

- 
 - Ventilation: 10mm space is required between the device top/bottom edges and the enclosure's walls
 - Do not install in areas with: excessive or conductive dust, corrosive or flammable gas, moisture or rain, excessive heat, regular impact shocks or excessive vibration, in accordance with the standards and limitations given in the product's technical specification sheet.
 - Do not place in water or let water leak onto the unit.
 - Do not allow debris to fall inside the unit during installation.
 - Install at maximum distance from high-voltage cables and power equipment.

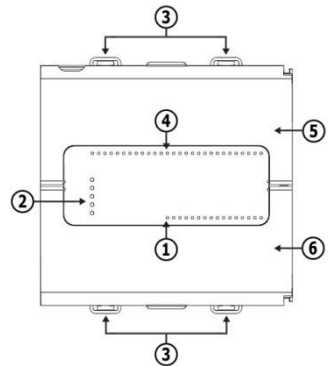
Kit Contents

- 1 UniStream PLC
- 1 power terminal block
- 2 I/O terminal blocks (provided only with models comprising built-in I/Os)
- 1 Battery

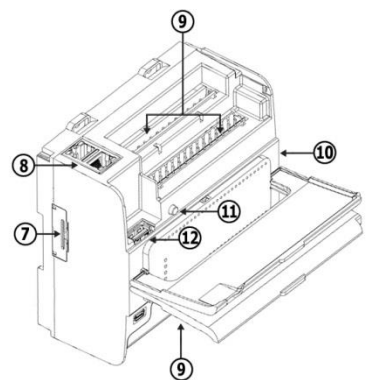
Product Diagram

1	Output LEDs	Green / Red LEDs
2	Status LEDs	Tricolor LEDs, Green/Red/Orange From top to bottom: RUN, ERROR, USB, BATT. LOW, and FORCE. Note that LED indications are listed in the product's technical specifications.
3	DIN-rail clips	Clips at top and bottom physically support the device
4	Input LEDs	Green / Red LEDs
5	Top Door, Closed	Covers the Confirm button and the USB Host port
6	Bottom Door, Closed	Covers the internal door protecting the battery and microSD slot.
7	Uni-COM™ Jack	Connection port for Uni-COM CB modules*. Shipped covered; leave cover in place when not in use.
8	Ethernet ports	Two ports for Ethernet communications.
9	Input/Output connection points	Model-dependent. Present in models with built-in I/O configurations.
10	I/O Bus connector	(Not shown) Connection point for Uni-I/O™ modules and I/O expansion adapters, shipped covered. Leave covered when not in use.
11	CONFIRM Button	Used to implement and confirm USB Actions.
12	USB Host port	Provides the interface for external USB devices.

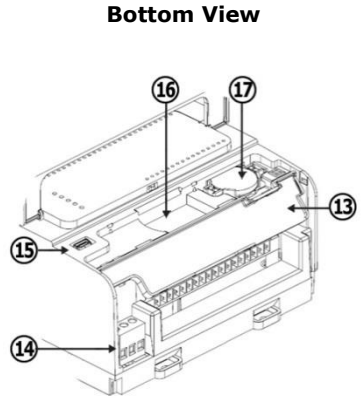
Front View



Top View



13	Internal Door, open	Open this to access the battery + microSD slot.
14	Power Supply Input	Connection point for the controller power source. Connect the Terminal Block supplied with the kit to the power cable.
15	USB Device port	Use for application download and direct PC-UniStream communication.
16	microSD Slot	Supports standard microSD cards.
17	Battery Holder	The battery is supplied installed; the user must remove the pull tab during installation.



* These are available by separate order.

Installation Space Considerations

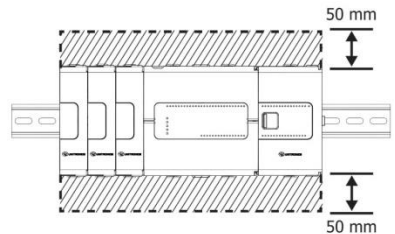
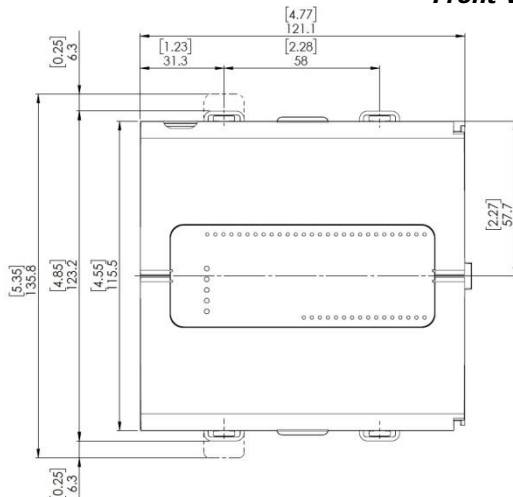
Allocate space for:

- The controller
- I/O wiring
- Access to ports, jacks, and the microSD card slot
- Any modules that will be installed; ensure you allow space to install/uninstall modules
Module dimensions and installation instructions are in the modules' specifications.

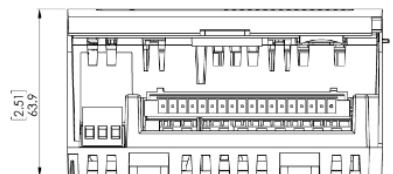
For exact dimensions, please refer to the Mechanical Dimensions shown below

Mechanical Dimensions

Front View



Bottom View

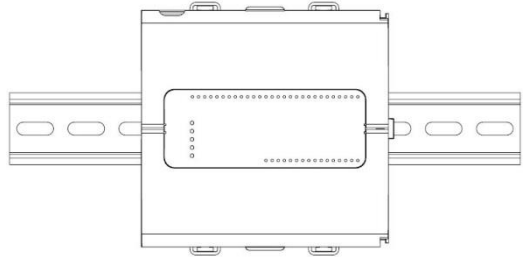


Mounting

Note ■ Mount on a standard DIN-rail.

- Ensure that there is sufficient room on the sides of the device to allow for any I/O or COM modules.

1. Push the device onto the DIN-rail until the clips located at the top and bottom of the unit have snapped onto the DIN-rail.
2. When properly mounted, the device is squarely situated on the DIN-rail as shown below.



Battery: Back-up, First Use, Installation, and Replacement

Back-up

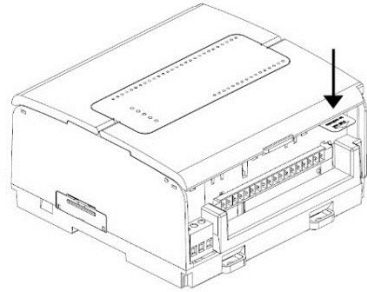
In order to preserve back-up values for RTC and system data in the event of power off, the battery must be connected.

First Use

The battery is protected by the PLC's bottom and inner door.

The battery is supplied installed inside the unit, with a plastic tab preventing contact.

Pull out this tab before using the device.



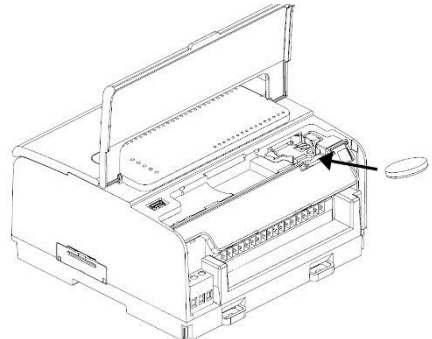
Battery Installation and Replacement

- ⚠ ■ Use proper precautions to prevent Electro-Static Discharge (ESD) while servicing the battery.

Caution ■ To preserve back-up values for RTC and system data during battery replacement, the controller must be powered.

- Note that disconnecting the battery halts the preservation of back-up values and causes them to be deleted.

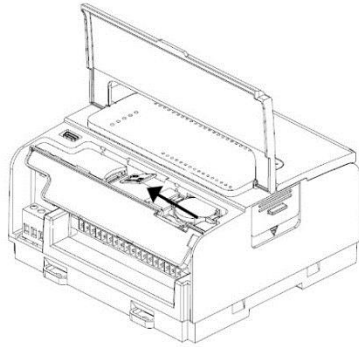
1. Open the bottom and inner doors.
2. If there is a battery present, remove it.
3. Slide the battery into place.



microSD Card Installation and Removal

- ⚠️ ▪ Use proper precautions to prevent Electro-Static Discharge (ESD) while servicing the microSD card.

1. To install the microSD card slide it into the slot as shown in the accompanying figure, until the card clicks into place.
2. To remove the card, press it into its slot lightly, the spring ejects it.



Wiring

- ⚠️ ▪ This equipment is designed to operate only at SELV/PELV/Class 2/Limited Power environments.
- All power supplies in the system must include double insulation. Power supply outputs must be rated as SELV/PELV/Class 2/Limited Power.
 - Do not connect either the 'Neutral' or 'Line' signal of the 110/220VAC to device's 0V point.
 - Do not touch live wires.
 - All wiring activities should be performed while power is OFF.
 - Use over-current protection, such as a fuse or circuit breaker, to avoid excessive currents into the power supply connection point.
 - Unused points should not be connected (unless otherwise specified). Ignoring this directive may damage the device.
 - Double-check all wiring before turning on the power supply.

- Caution* ▪ To avoid damaging the wire, use a maximum torque of 0.5 N·m (5 kgf·cm).
- Do not use tin, solder, or any substance on stripped wire that might cause the wire strand to break.
 - Install at maximum distance from high-voltage cables and power equipment.

Wiring Procedure

Use crimp terminals for wiring; use 26-12 AWG wire (0.13 mm² –3.31 mm²)

1. Strip the wire to a length of 7±0.5mm (0.250–0.300 inches).
2. Unscrew the terminal to its widest position before inserting a wire.
3. Insert the wire completely into the terminal to ensure a proper connection.
4. Tighten enough to keep the wire from pulling free.

Wiring Guidelines

In order to ensure that the device will operate properly and to avoid electromagnetic interference:

- Use a metal cabinet. Make sure the cabinet and its doors are properly earthed.
- Use wires that are properly sized for the load.
- Use shielded twisted pair cables for wiring High Speed and Analog I/O signals. Use shielded cables for wiring thermocouple and RTD signals. In either case, do not use the cable shield as a signal common / return path.
- Route each I/O signal with its own dedicated common wire. Connect common wires at their respective common (CM) points at the controller.
- Individually connect each 0V point and each common (CM) point in the system to the power supply 0V terminal, unless otherwise specified.
- Individually connect each functional ground point (⚡) to the earth of the system (preferably to the metal cabinet chassis). Use the shortest and thickest wires possible: less than 1m (3.3') in length, minimum thickness 14 AWG (2 mm²).
- Connect the power supply 0V to the earth of the system.

- Earthing the cables' shield:
 - Connect the cable shield to the earth of the system (preferably to the metal cabinet chassis). Note that the shield must be connected only at one end of the cable; it is recommended to earth the shield at the PLC-side.
 - Keep shield connections as short as possible.
 - Ensure shield continuity when extending shielded cables.

NOTE For detailed information, refer to the document System Wiring Guidelines, located in the Technical Library in the Unित्रonics' website.

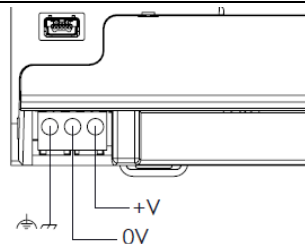
Wiring the Power Supply

The controller requires an external power supply.



- In the event of voltage fluctuations or non-conformity to voltage power supply specifications, connect the device to a regulated power supply.

Connect the +V and 0V terminals as shown in the accompanying figure.



Connecting Ports

- Ethernet CAT-5e shielded cable with RJ45 connector
- USB Device Use a standard USB cable, Type mini-B
- USB Host Standard USB Type-A plug

USC-Bx-TR22, USC-Bx-T24

I/O Connection Points

The IOs for these models are arranged in two groups of fifteen points each, as shown in the figures to the right.

Top group

Input connection points

Bottom group

Output connection points

The function of certain I/Os may be adapted via wiring and software settings.

USC-Bx-TR22

1	2	3	4	5	6	7	8	9	10	11	12	13	14	15
CM0	I0	I1	I2	I3	I4	I5	I6	I7	I8	I9	-	CM1	A10	A11

15	14	13	12	11	10	9	8	7	6	5	4	3	2	1
CM2	O0	O1	O2	O3	CM3	O4	O5	O6	O7	-	-	CM4	O8	O9

USC-Bx-T24

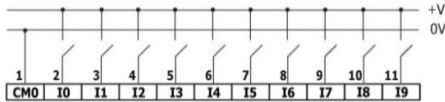
1	2	3	4	5	6	7	8	9	10	11	12	13	14	15
CM0	I0	I1	I2	I3	I4	I5	I6	I7	I8	I9	-	CM1	A10	A11

15	14	13	12	11	10	9	8	7	6	5	4	3	2	1
O0	O1	O2	O3	O4	O5	O6	O7	O8	O9	O10	O11	-	O12	O13

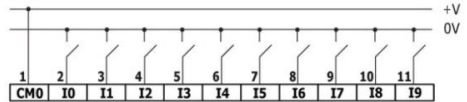
Wiring the Digital Inputs

All 10 digital inputs share the common point CM0. The digital inputs may be wired together as sink or source.

Input wiring, sink



Input wiring, source



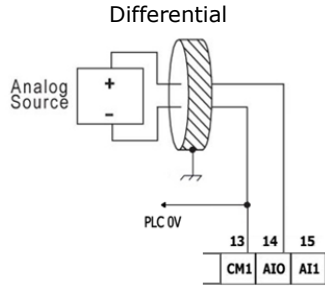
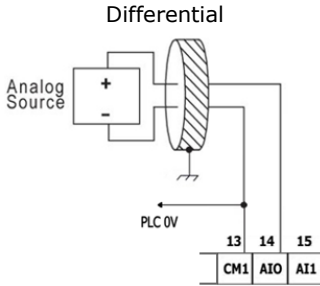
NOTE Use sink input wiring to connect a sourcing (pnp) device. Use source input wiring to connect a sinking (npn) device.

Wiring the Analog Inputs

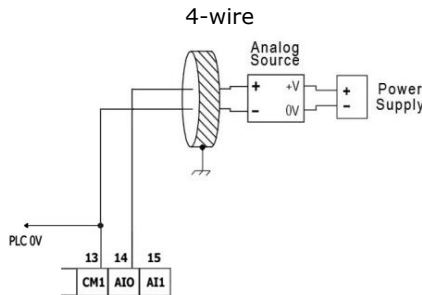
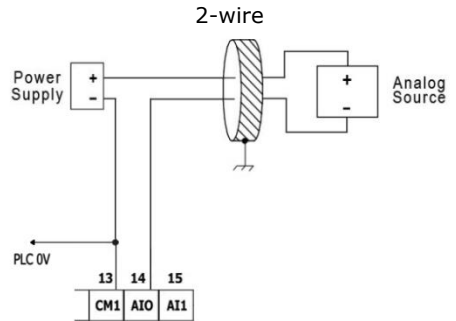
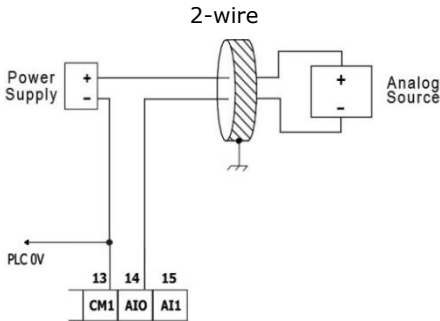
Both inputs share the common point CM1.

- NOTE**
- The inputs are not isolated.
 - Each input offers two modes: voltage or current. You can set each input independently.
 - The mode is determined by the hardware configuration within the software application.
 - Note that if, for example, you wire the input to current, you must also set it to current in the software application.

Voltage



Current

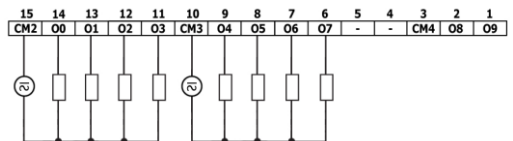


Wiring the Relay Outputs (USC-Bx-TR22)

- ⚠ To avoid risk of fire or property damage, always use a limited current source or connect a current limiting device in series with the relay contacts

The relay outputs are arranged in two isolated groups:

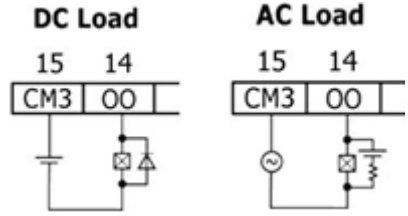
- O0-O3 share the common return CM2.
- O4-O7 share the common return CM3.



Increasing Contact Life Span


To increase the life span of the relay contacts and protect the controller from potential damage by reverse EMF, connect:

- a clamping diode in parallel with each inductive DC load,
- a RC snubber circuit in parallel with each inductive AC load|




Wiring the Sink Transistor Outputs (USC-Bx-TR22)

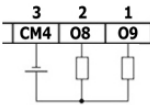
NOTE ▪ The outputs are not isolated.

 ▪ Connect a current limiting device in series with outputs O8 and O9. These outputs are not short-circuit protected.

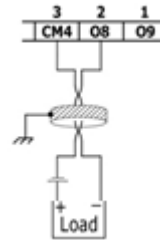
- Outputs O8 and O9 can independently be configured as either normal digital outputs or as high speed PWM outputs.
- Outputs O8 and O9 share the common point CM4.
- CM4 is internally connected to the 0V point. To minimize EMI emission by high-speed signals' wiring, do not externally connect CM4 to the system 0V.

 ▪ Do not use point CM4 for any purpose other than connecting the digital output load. Using it for any other purpose may damage the controller.

Normal Transistor Output



High Speed PWM Output



Wiring the Source Transistor Outputs (USC-Bx-T24)

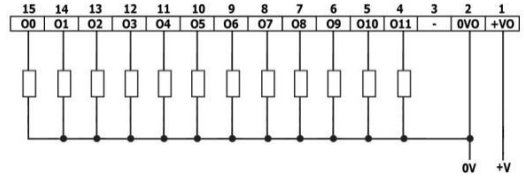
Output's power supply

The use of any of the outputs requires an external 24VDC power supply as shown in the accompanying figure.

Outputs

Connect the +VO and 0VO terminals as shown in the accompanying figure.

O0-O11 share common return 0VO.



Installing Uni-I/O™ & Uni-COM™ Modules

Refer to the Installation Guides provided with these modules.



- Turn off system power before connecting or disconnecting any modules or devices.
- Use proper precautions to prevent Electro-Static Discharge (ESD).

Uninstalling the Controller

1. Disconnect the power supply.
2. Remove all wiring and disconnect any installed devices according to the device's installation guide.
3. Unscrew and remove the mounting brackets, taking care to support the device to prevent it from falling during this procedure.

The information in this document reflects products at the date of printing. Unitronics reserves the right, subject to all applicable laws, at any time, at its sole discretion, and without notice, to discontinue or change the features, designs, materials and other specifications of its products, and to either permanently or temporarily withdraw any of the forgoing from the market.

All information in this document is provided "as is" without warranty of any kind, either expressed or implied, including but not limited to any implied warranties of merchantability, fitness for a particular purpose, or non-infringement. Unitronics assumes no responsibility for errors or omissions in the information presented in this document. In no event shall Unitronics be liable for any special, incidental, indirect or consequential damages of any kind, or any damages whatsoever arising out of or in connection with the use or performance of this information.

The tradenames, trademarks, logos and service marks presented in this document, including their design, are the property of Unitronics (1989) (R™G) Ltd. or other third parties and you are not permitted to use them without the prior written consent of Unitronics or such third party as may own them

DOC32001-A4 02/19