

Features

- 19 in TFT display w/ optional touch screen
- Seams continuously welded and ground smooth (Type 4/4X, IP66)
- Various keyboard/mouse options
- Video transfer via EtherNet/IP connection
- 100 mm VESA mount
- Class I, Div. 2 / ATEX Zone 2 approved

Application

The RM919 remote monitor is designed for continuous use in harsh environments such as manufacturing, oil & gas, and chemical applications.

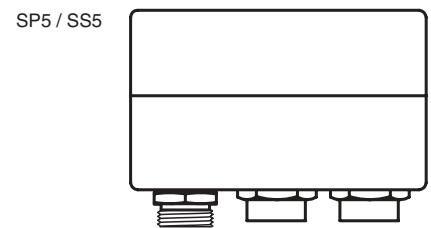
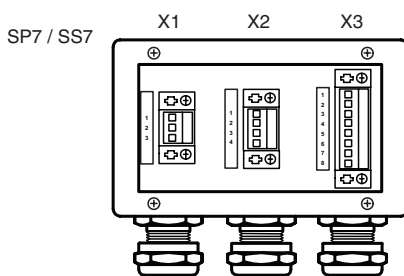
The RM transmits video data digitally from the host PC to the monitor over an Ethernet connection using RDP, VNC, or ICA protocol.

The compact housing design allows for easy mounting using the industry standard 100 mm VESA mount.

This 19" monitor features an optional touchscreen and keyboard with various mouse options.



Connection



X1 Terminals	AC	DC
1.1	L	+
1.2	N	-
1.3	GND	GND

X2 Terminals	Description
2.1	VCC RD
2.2	D+ GN
2.3	D- WH
2.4	GND BK

X3 Terminals	Description
3.1	BI_DA + WH/GN
3.2	BI_DA - GN
3.3	BI_DB + WH/OR
3.4	BI_DC + BU
3.5	BI_DC - WH/BU
3.6	BI_DB - OR
3.7	BI_DD + WH/BN
3.8	BI_DD - BN

Release date 2015-07-20 15:38 Date of issue 2015-07-20 547089_eng.xml

Refer to "General Notes Relating to Pepperl+Fuchs Product Information".

Pepperl+Fuchs Group
www.pepperl-fuchs.com

USA: +1 330 486 0002
pa-info@us.pepperl-fuchs.com

Germany: +49 621 776 2222
pa-info@de.pepperl-fuchs.com

Singapore: +65 6779 9091
pa-info@sg.pepperl-fuchs.com

Hardware	
Processor	Intel® Atom™ E3826 1.46 GHz
RAM	4 GB
Mass storage	compact flash: 32 GB CFAST
Supply	
Power consumption	60 W max, 100 ... 240 VAC, 50 ... 60 Hz, or 20-30 VDC
Indicators/operating means	
Display	
Screen diagonal	19 in (483 mm)
Response time	12 ms
Resolution	1280 x 1024
Color depth	24 bit (16.7 M) color
Contrast	1000:1
Brightness	450 cd/m ² (nits)
Reading angle	160° in all directions
Life span	Back lamp life: 50,000 hrs typical half life
Input devices	
Touchscreen	5-wire resistive 5-wire hardened resistive
Keyboard	touchpad , optical trackball (50 mm) , joystick connections : USB
Interface	
Interface type	1 x RJ-45 (GB ethernet) , 1 x USB 2.0 , 1 x power 1 x Fiber optic LAN, SC duplex, multimode (optional)
Directive conformity	
Electromagnetic compatibility	
Directive 89/336/EEC	EN55022A, EN61000-6-2, EN61000-3-2, EN61000-3-3
Software	
Operating system	VisuNet RM Shell 4.0 (based on Microsoft Windows Embedded Standard 7)
Ambient conditions	
Operating temperature	-20 ... 50 °C (-4 ... 122 °F)
Storage temperature	-20 ... 60 °C (-4 ... 140 °F)
Relative humidity	0 ... 90% (noncondensing)
Shock resistance	30g, 11 ms, all axis
Vibration resistance	5 ... 100 Hz 1G, 12 m/s ²
Mechanical specifications	
Degree of protection	
	Type 4X (stainless steel) Type 4 (painted steel) IP66
Material	
	Main enclosure: painted black steel or 316L stainless steel Main enclosure (rear cover): 6062 anodized aluminum, marine grade
Installation	
	100 mm (3.9 inch) VESA mount
Mass	
	Main unit: 13.6 kg (30 lb) without keyboard; 19.1 kg (42 lb) with keyboard
Dimensions	
	Main enclosure: 566 x 442 x 86 mm (22.3 x 17.4 x 3.4 inches), junction box adds 43 mm (1.7 inches) to depth Keyboard enclosure: 559 x 254 x 51 mm (22.0 x 10.0 x 2.0 inches)
Data for application in connection with Ex-areas	
EC-Type Examination Certificate	
Group, category, type of protection	⊕ II 3G Ex ic nA IIC T4 Gc
International approvals	
ETL Intertek	Class I, Div. 2 Groups A, B, C, D; T4

Release date 2015-07-20 15:38 Date of issue 2015-07-20 547089_eng.xml

Refer to "General Notes Relating to Pepperl+Fuchs Product Information".

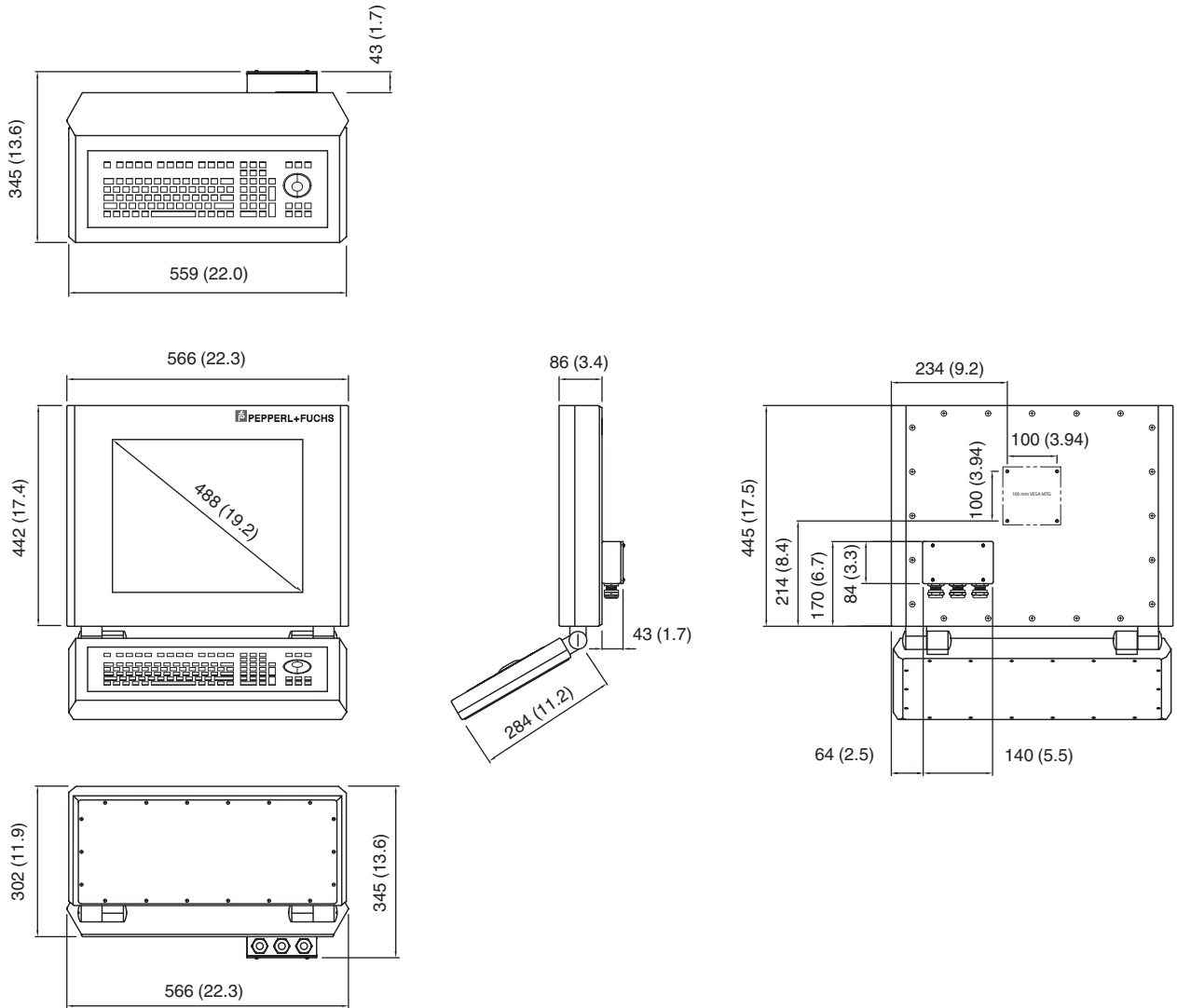
Pepperl+Fuchs Group
www.pepperl-fuchs.com

USA: +1 330 486 0002
pa-info@us.pepperl-fuchs.com

Germany: +49 621 776 2222
pa-info@de.pepperl-fuchs.com

Singapore: +65 6779 9091
pa-info@sg.pepperl-fuchs.com

Dimensions



Release date 2015-07-20 15:38 Date of issue 2015-07-20 547089_eng.xml

Accessories

VISUNET-RM-SHELL4-DRDC

VISUNET-RM-SHELL4-PRO

Refer to "General Notes Relating to Pepperl+Fuchs Product Information".

