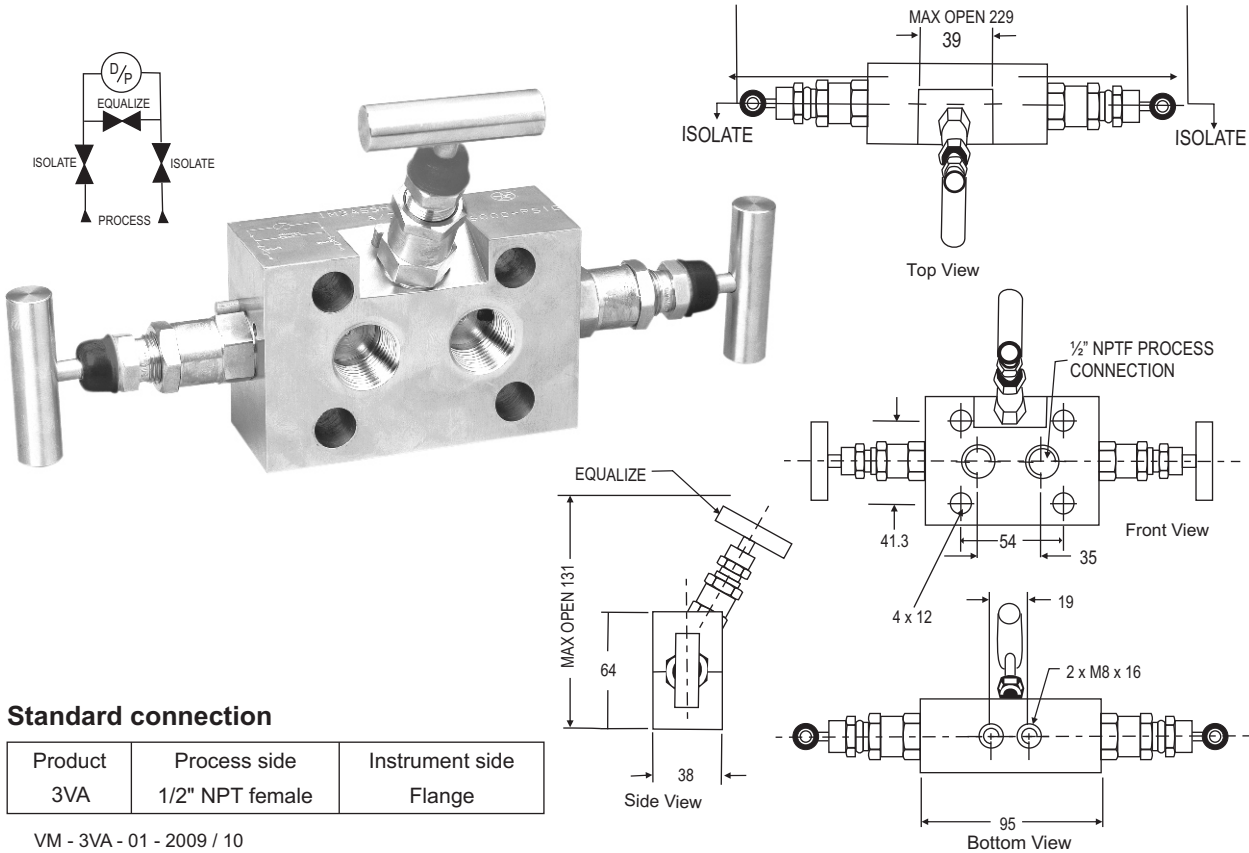


With two threaded horizontal port inlets on the front side and two Flange outlets on the back side. The two isolating bonnets are positioned on the left and right hand side, the equalizing bonnet is of angular design positioned on the top for easy operation.



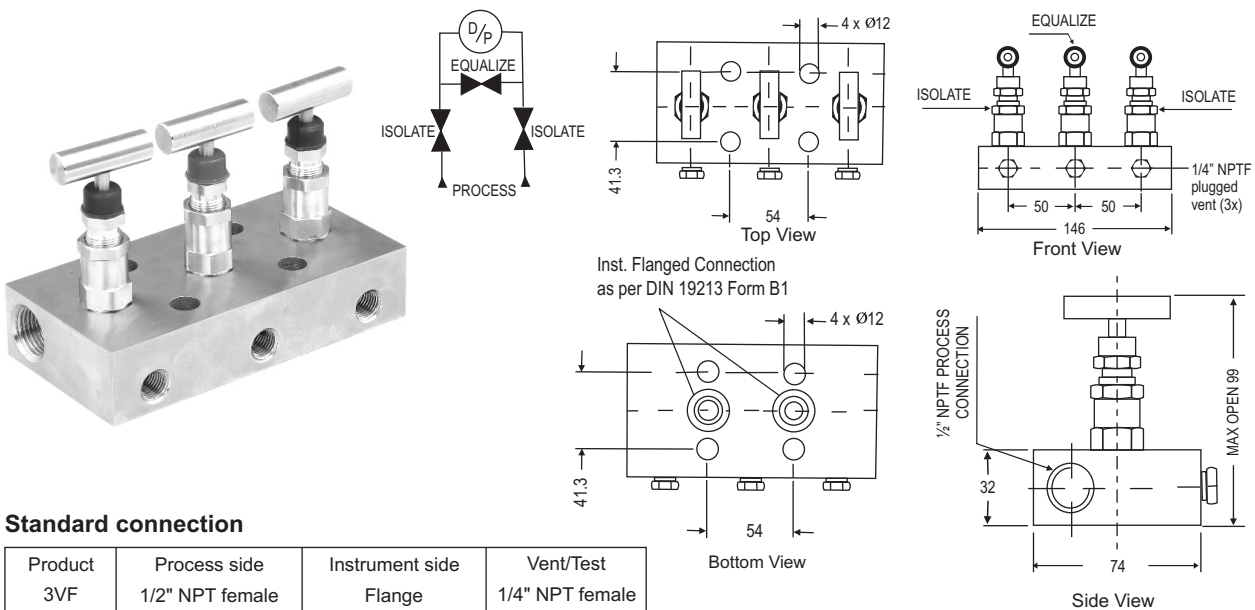
Standard connection

Product	Process side	Instrument side
3VA	1/2" NPT female	Flange

VM - 3VA - 01 - 2009 / 10

REMOTE MOUNT (PIPE TO FLANGE)

With two threaded horizontal port inlets positioned on the left and right hand side and two Flange outlets on the back side. The two isolating bonnets and the equalizing bonnet are positioned on the front. Standard with three downstream test connections.

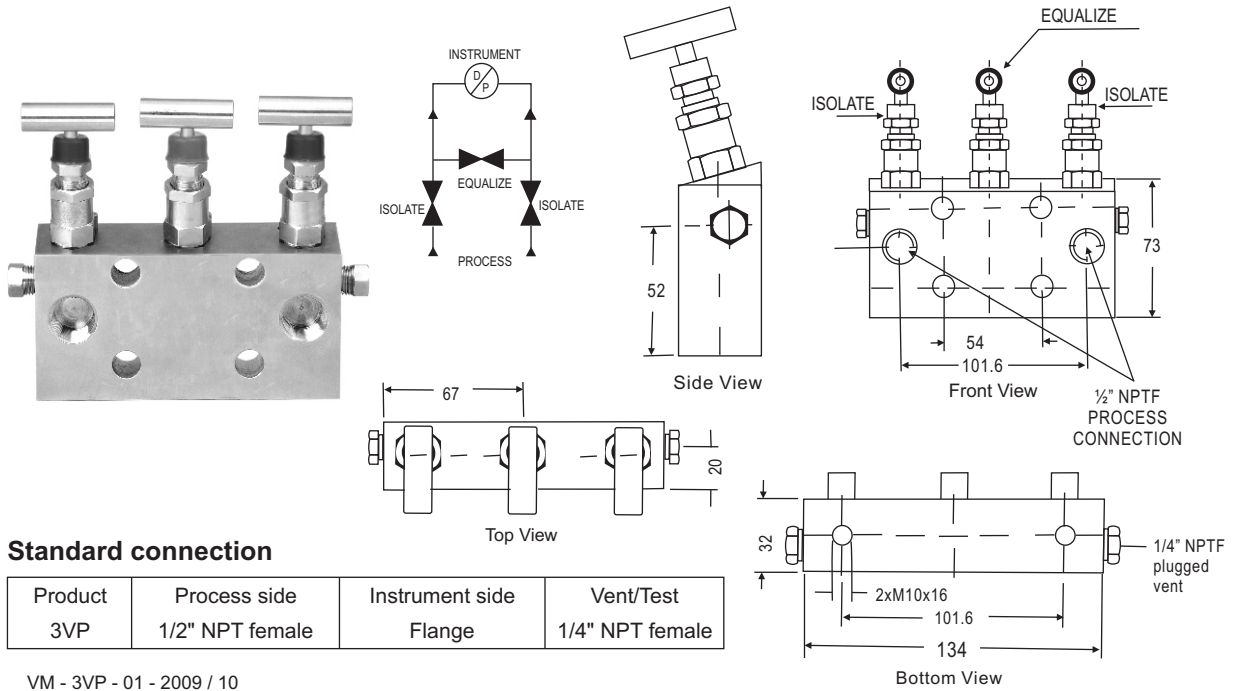


Standard connection

Product	Process side	Instrument side	Vent/Test
3VF	1/2" NPT female	Flange	1/4" NPT female

VM - 3VF - 01 - 2009 / 10

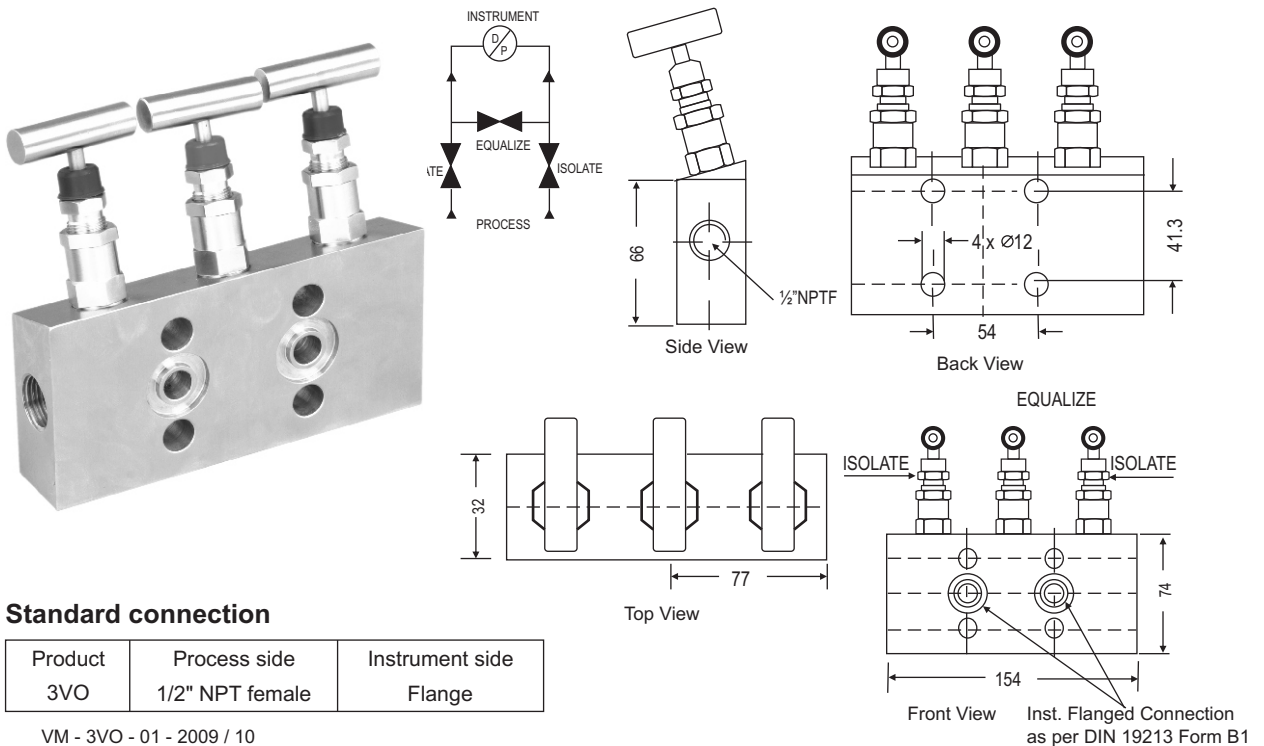
With threaded horizontal port inlets positioned on the front and Flange outlets on the back side. The test connections are positioned on the left and right hand side. The isolating bonnets and the equalizing bonnet are positioned angular on the top of the body.



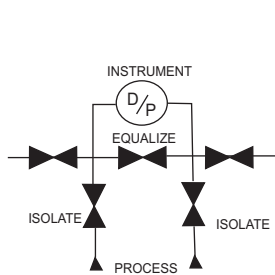
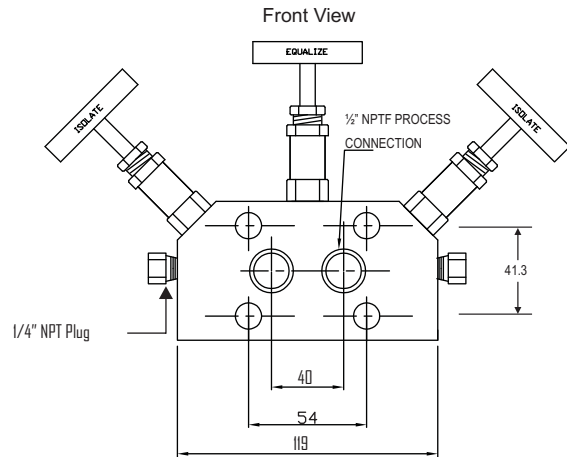
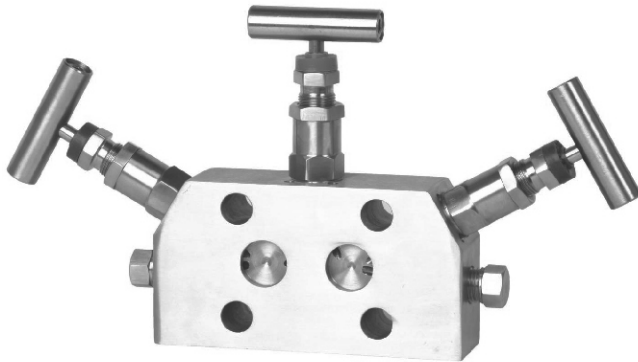
DIRECT MOUNT (PIPE TO FLANGE)

3VO

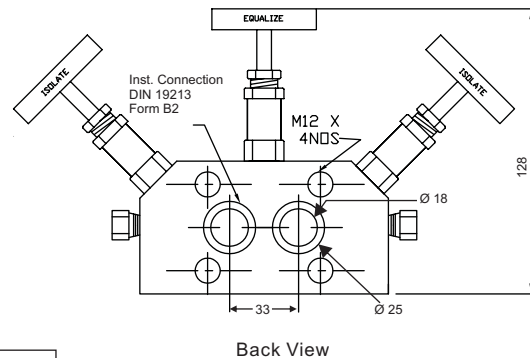
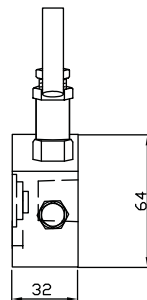
With threaded horizontal port inlets on the left and right hand side and Flange outlets on the back side. The isolating bonnets and the equalizing bonnets are positioned angular on the top of the body.



Coplanar mounting Three Valve Manifold with drain plugs. This manifold has two isolating valves, one equalizer valve & two vent ports duly plugged. when assembled to transmitter has the advantage of compact size with easy for operation in minimum space. The direct mounting facility to the base of the differential pressure transmitter result in less leakage points and more accurate measurements. This model mainly use for Rosemount Transmitter Model 3051



Side View



Standard connection

Product 3V43	Process side 1/2" NPT female	Instrument side Coplanar (DIN 19213 Form B2)	Vent/Test 1/4" NPT female
-----------------	---------------------------------	---	------------------------------

VM - 3V43 - 01 - 2009 / 10

Optional Drain Plug with bleed available on request

Specifications - Standard Version 3VA, 3VF, 3VP , 3VO, 3V43

Body	:	SS 316
Stem	:	SS 316
Valve assembly	:	SS 316
'T' bar handle	:	SS 304
Maximum working pressure	:	6000 PSI
Maximum working temperature	:	240°C
Packing	:	PTFE
Type of stem	:	Type CT; Stem with conical metal tip
Drain port	:	1/4" NPT [F]; provided with SS 316 plug

How to order : 3VA, 3VF, 3VP, 3VO. 3V43

Body Material	Stem Type	Stem Packing	Size = Inlet x Outlet	Connections	Threads
C = Carbon Steel	CT (std)	P = PTFE (std)	4F = 1/2" x Flange	FD = Female x Flange(54mm)	N = NPT (ANSI B 1.20.1)
S = SS 316 (std)	DS	G = Grafoil	2F = 1/4" x Flange	FR = Female X Female Rotating	P = BSPP (BS 2779, ISO 228/1)
S4 = SS 304			4C = 1/2"x Coplanar	SW = Socket Weld	B = BSPT (BS 21, ISO 7/1)
SL = SS 316L					
M4 = Monel 400					
M5 = Monel 500					
H = Hastelloy C					

Options -

- IE : Handle circular.
- TF : Compliance to NACE standard MR-0175.
- SG : For Oxygen service, valves are supplied cleaned, degreased and suitably packed.
- GH : Material test certificate
- GO : Hydro test certificate
- MB : Mounting Bracket
- MBC : Mounting bolts (7/16" UNF) in carbon steel (Model : MBC - M45, MBC - M25)
- MBS : Mounting bolts (7/16" UNF) in SS (Model : MBS - M45, MBS - M25)
- PRF : PTFE Ring For Flange Seal
- GRF : Grafoil Ring For Flange Seal
- BLD4 : Bleeder 1/4" NPT (Male)

Example

To place an order simply refer to the codes in the table.

Valve Type : Body Material + Stem Type + Stem Packing + Size + Connections + Threads + Options

3VA + S + CT + P + 4F + FD + N = 3VA-S-CT-P-4F-FD-N-Options

NOTE:

- The weld prepared types are available with female plain end - suitable for socket weld.
- Anti-tamper bonnet - special design on request with locking arrangement if desired.