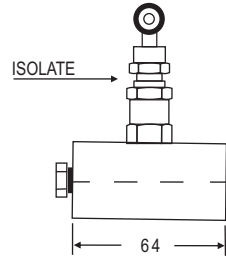
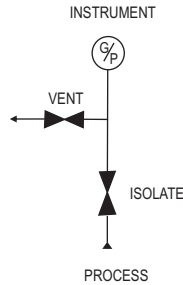
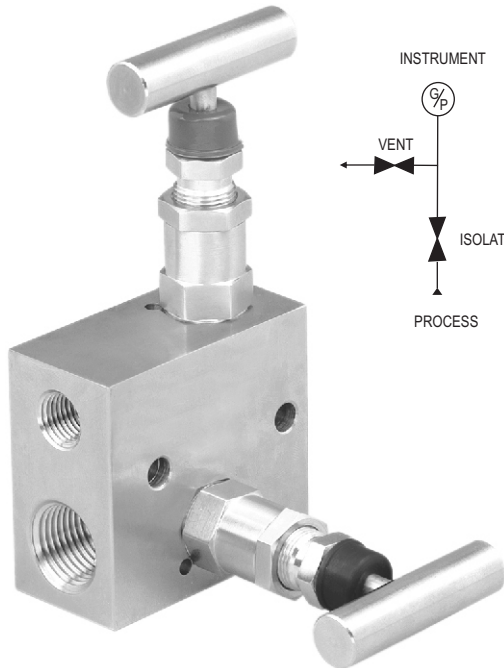
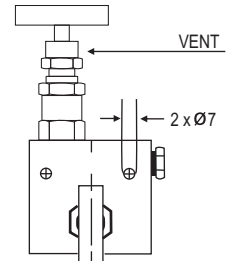


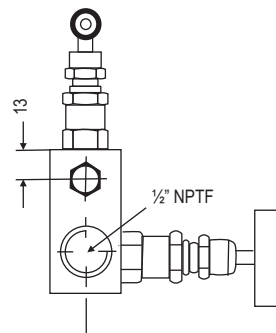
With threaded horizontal port inlet, outlet and vent/test connection on the left hand side. The venting bonnet is positioned on the top and the isolating bonnet on the front.



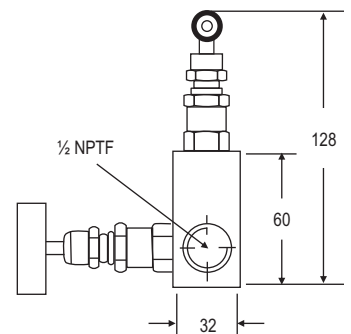
Top View



Front View



Side View



Side View

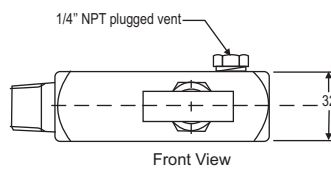
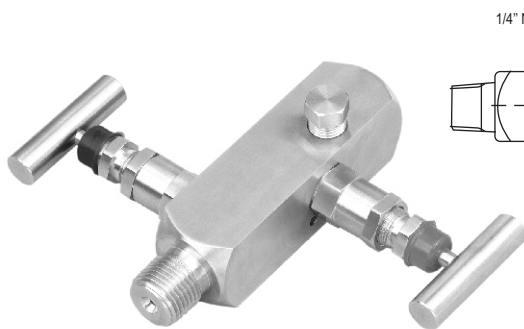
**Standard connection**

Product	Process side	Instrument side	Vent/Test
2VH	1/2" NPT female	1/2" NPT female	1/4" NPT female

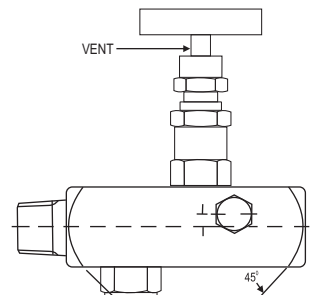
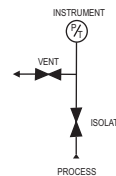
VM - 2VH - 01 - 2009 / 10

**REMOTE MOUNT (Pipe to Pipe) 2VT**

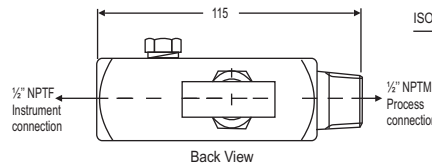
With threaded vertical port inlet and female outlet. The vent/test connection is positioned on the front side. The venting bonnet is positioned on the right hand side and the isolating bonnet on left hand side.



Front View



Top View



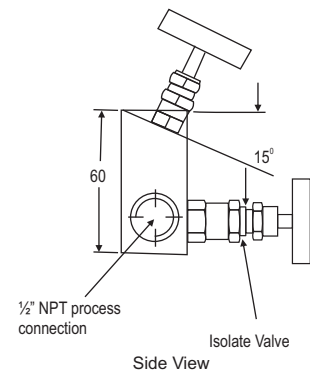
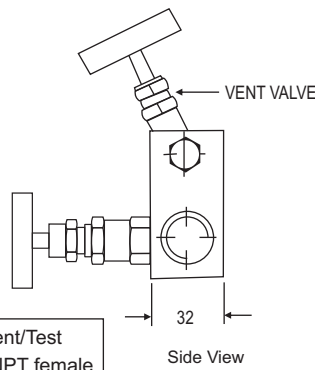
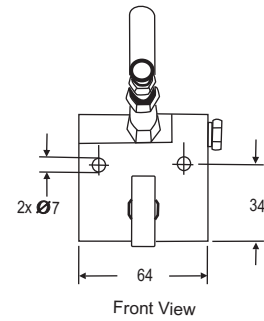
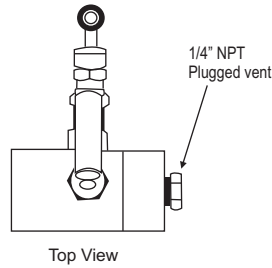
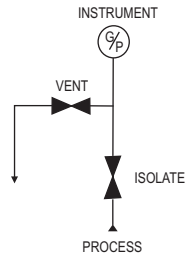
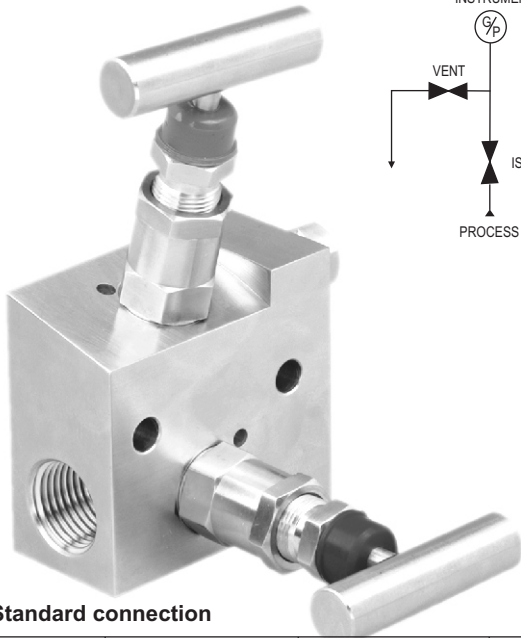
Back View

**Standard connection**

Product	Process side	Instrument side	Vent/Test
2VT	1/2" NPT male	1/2" NPT female	1/4" NPT female

VM - 2VT - 01 - 2009 / 10

With threaded horizontal port inlet and outlet and vent/test connection on the right hand side. The venting bonnet is positioned angular on the top and the isolating bonnet on the front.



**Standard connection**

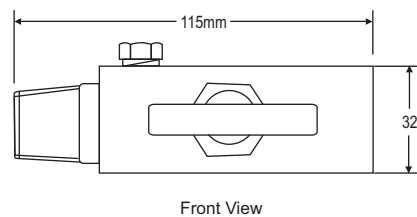
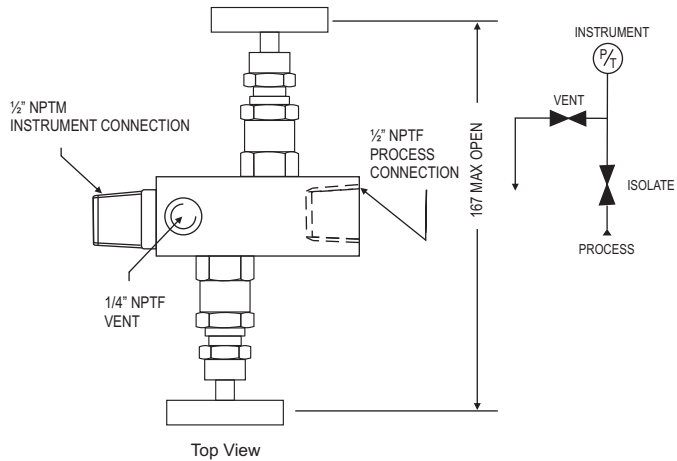
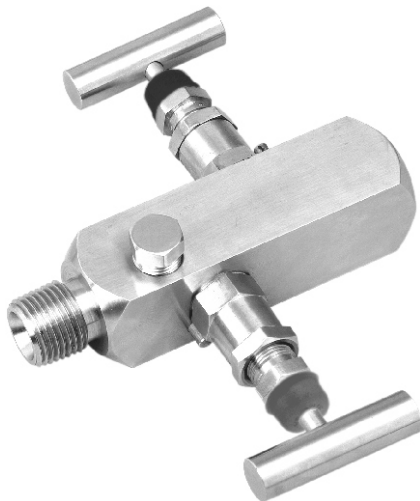
Product 2VA	Process side 1/2" NPT female	Instrument side 1/2" NPT female	Vent/Test 1/4" NPT female
----------------	---------------------------------	------------------------------------	------------------------------

VM - 2VA - 01 - 2009 / 10

**REMOTE MOUNT (Pipe to Pipe)**

**2VTF**

With the vent is positioned near the male instrument connection side.

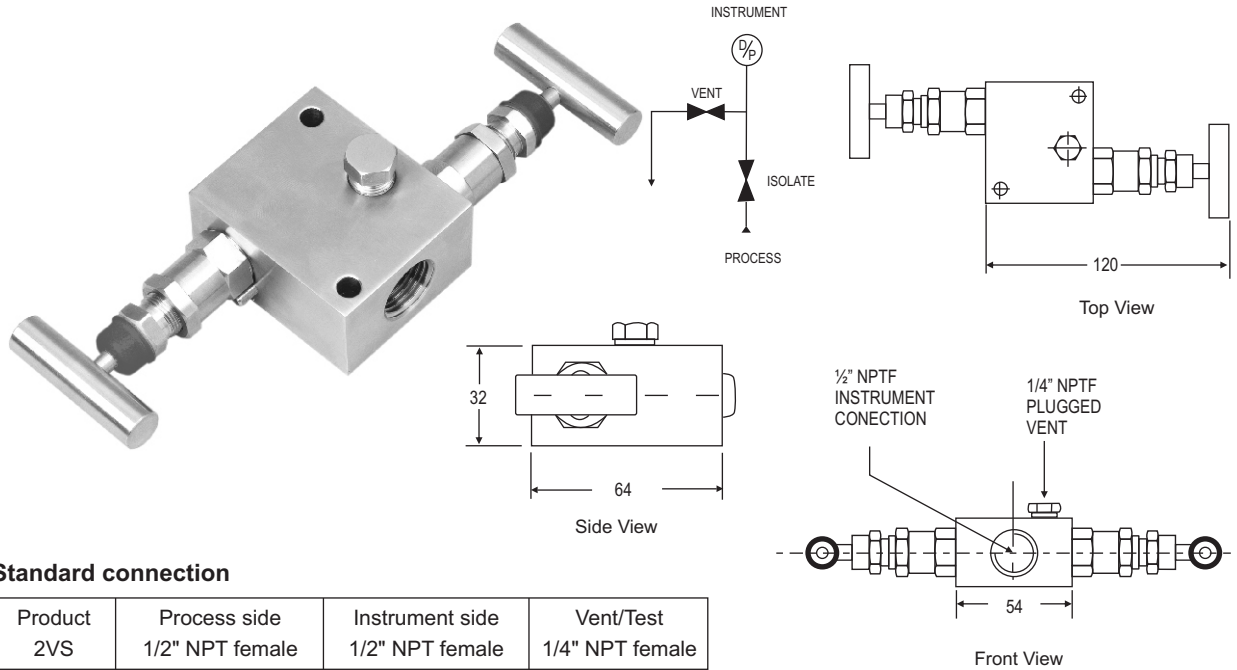


**Standard connection**

Product 2VTF	Process side 1/2"NPT Female	Instrument side 1/2"NPT Male	Vent/Test 1/4" NPT Female
-----------------	--------------------------------	---------------------------------	------------------------------

VM - 2VTF - 01 - 2009 / 10

With threaded vertical port inlet and outlet. The vent/test connection is positioned on the front side. The drain bonnet is positioned on the right hand side and the isolating bonnet on the left hand side.



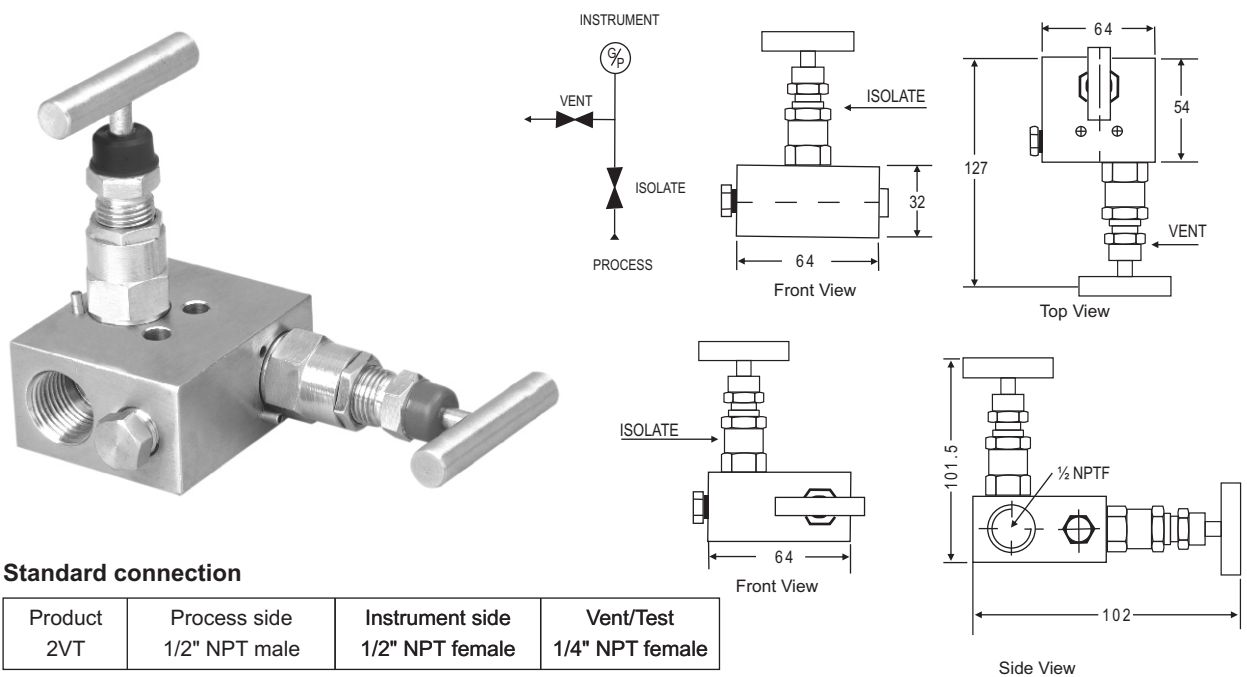
**Standard connection**

Product	Process side	Instrument side	Vent/Test
2VS	1/2" NPT female	1/2" NPT female	1/4" NPT female

VM - 2VS - 01 - 2009 / 10

**REMOTE MOUNT (Pipe to Pipe)**

With threaded vertical port inlet and female outlet. The vent/test connection is positioned on the front side. The venting bonnet is positioned on the right hand side and the isolating bonnet on left hand side.



**Standard connection**

Product	Process side	Instrument side	Vent/Test
2VT	1/2" NPT male	1/2" NPT female	1/4" NPT female

VM - 2VT - 01 - 2009 / 10

### Specifications - Standard Version 2VH,2VT, 2VA, 2VTF, 2VS, 2VM

<b>Body</b>	: SS 316
<b>Stem</b>	: SS 316
<b>Valve assembly</b>	: SS 316
<b>'T' bar handle</b>	: SS 304
<b>Maximum working pressure</b>	: 6000 PSI
<b>Maximum working temperature</b>	: 240°C
<b>Packing</b>	: PTFE
<b>Type of stem</b>	: Type CT; Stem with conical metal tip
<b>Drain port</b>	: 1/4" NPT [F]; provided with SS 316 plug

### How to order : 2VH,2VT, 2VTF, 2VA, 2VS, 2VM

Body Material	Stem Type	Stem Packing	Size = Inlet x Outlet	Connections	Threads
C = Carbon Steel	CT	P = PTFE	24 = 1/4" x 1/4"	MF = Male x Female	N = NPT (ANSI B 1.20.1)
S = SS 316	DS	G = Grafoil	33 = 3/8" x 3/8"	FF = Female x Female	P = BSPP (BS 2779, ISO 228/1)
S4 = SS 304			44 = 1/2" x 1/2"	SW = Socket weld	
SL = SS 316L			66 = 3/4" x 1/2"	FM = Female x Male	B = BSPT (BS 21, ISO 7/1)
M4 = Monel 400			2F = 1/4" Flange		
M5 = Monel 500			3F = 3/8" X Flange		
H = Hastelloy C			4F = 1/2" X Flange		

### Options -

- IE : Handle circular.
- TF : Compliance to NACE standard MR-0175.
- SG : For Oxygen service, valves are supplied cleaned, degreased and suitably packed.
- GH : Material test certificate
- GO : Hydro test certificate
- MBC : Mounting bolts (7/16" UNF) in carbon steel (Model : MBC - M45, MBC - M25)
- MBS : Mounting bolts (7/16" UNF) in SS (Model : MBS - M45, MBS - M25)
- MB : Mounting Bracket
- ATV : Anti Tamper valve
- ATK : Anti Tamper key

### Example

To place an order simply refer to the codes in the table.

Valve Type : Body Material + Stem Type + Stem Packing + Size + Connections + Threads + Options

2VA + S + CT + P + 44 + FF + N = 2VA-S-CT-P-44-FF-N-Options

### NOTE:

- The weld prepared types are available with female plain end - suitable for socket weld.
- Anti-tamper bonnet - special design on request with locking arrangement if desired.