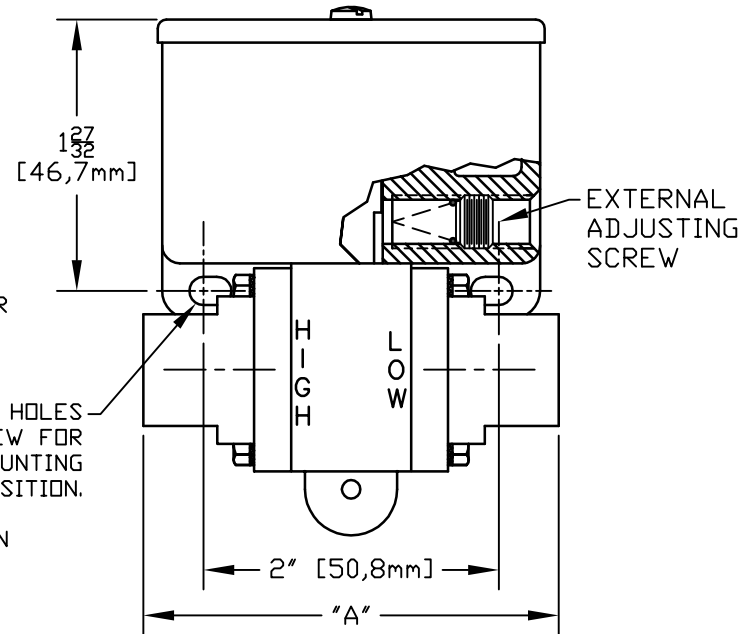
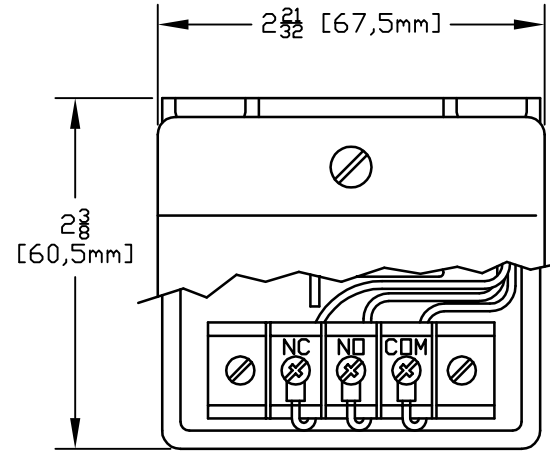
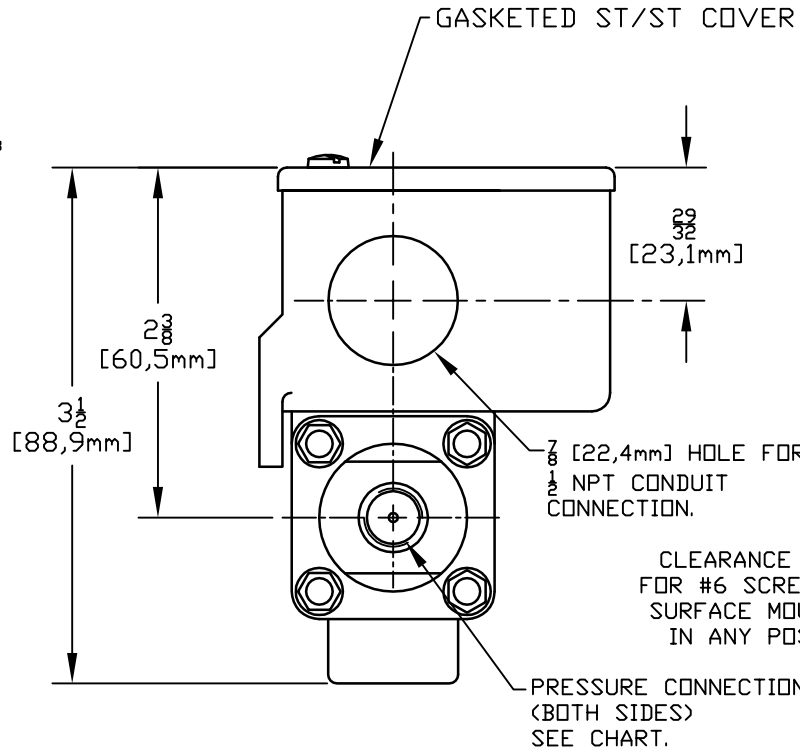


24-014	4-45	0.3 to 3.1	1.0	68,9	¼ NPT	POLYETHER DIAPHRAGM & BRASS	3 1/8 79.5mm
24-013	1-10	68.9 mbar to 0,7	0.75	51,7	¼ NPT	POLYETHER DIAPHRAGM & BRASS	3 1/8 79.5mm
24-012	4-45	0.3 to 3.1	1.0	68,9	¼ NPS	POLYETHER DIAPHRAGM & POLYSULPHONE	2 3/4 69.9mm
24-011	1-10	68.9 mbar to 0,7	0.75	51,7	¼ NPS	POLYETHER DIAPHRAGM & POLYSULPHONE	2 3/4 69.9mm
MODEL NUMBER	psi	bar	psi	mbar	P/C SIZE	WETTED MATERIALS	DIM. "A"
	RANGE		DEADBAND TYP.				

SPECIFICATIONS:
 RANGE: SEE CHART
 E/R: 5 A 125/250 VAC
 DEADBAND: SEE CHART
 P/C: SEE CHART
 WETTED MATERIAL: SEE CHART
 U.L. LISTED, CSA CERTIFIED

SYSTEM OPERATING PRESSURE:
 0 TO 150 psig. (0 to 10.3 bar)
 WORKING DIFFERENTIAL PRESSURE:
 0 TO 150 psig. (0 to 10.3 bar)
 DIFFERENTIAL PROOF PRESSURE:
 150 psig. (10.3 bar)
 BURST PRESSURE:
 300 psig. (20.7 bar)



AB	2 3/8 DIMENSION ON TOP VIEW WAS 2 1/8 ECN# E3228	6-30-09	DWD	RAM
AA	REDRAWN. ADDED METRIC EQUIVALENTS. REVISED CHART. DELETED ETHYLENE PROPYLENE AS WETTED MAT'L. ECN#E1157	3-22-05	SR	HN
SYM	DESCRIPTION	DATE	DWN	APPD
REVISIONS				

ORIGINAL DATE	5-15-90
DRWN	PETER WEILER
CHKD	PETER WEILER
APPD	A.MINASSIAN
UNLESS OTHERWISE SPECIFIED DIMENSIONS ARE IN INCHES	
DO NOT SCALE THIS DRAWING	

TITLE	DELTA-PRO SWITCH #24 SERIES
MODELS:	(011 THRU 014)
SCALE	3/4:1

DF001D	UNITED ELECTRIC CONTROLS COMPANY WATERTOWN * MASSACHUSETTS
DWG NO	A-12840